

ALUDIF S.T.P.

MENUISERIES ALUMINIUM POUR LES PROFESSIONNELS

Aluminum



Stainless Component



Motorized System



Remote Control



2 Years Warranty



Tempered Glass



Eco Friendly



Water Proof



Insulation



CE Certified



The Main Parts of Aluminum Used in Bioclimatics



GU 3174
4,198 kg/m



GU 3174
4,198 kg/m

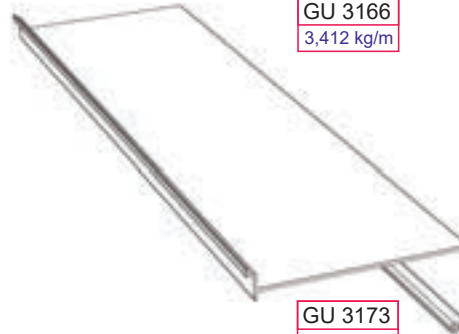
GU 3175
1,084 kg/m



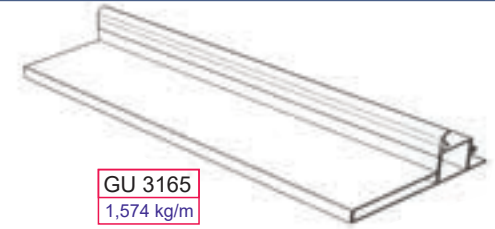
GU 3175
1,084 kg/m



GU 3166
3,412 kg/m



GU 3173
1,152 kg/m



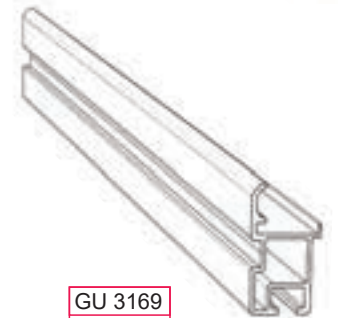
GU 3165
1,574 kg/m



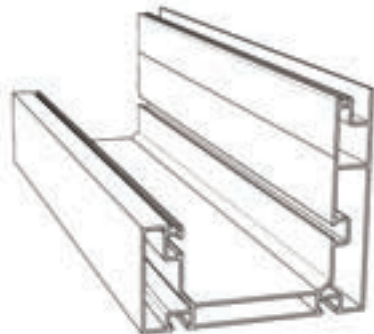
GU 3172
1,398 kg/m



GU 3168
1,309 kg/m



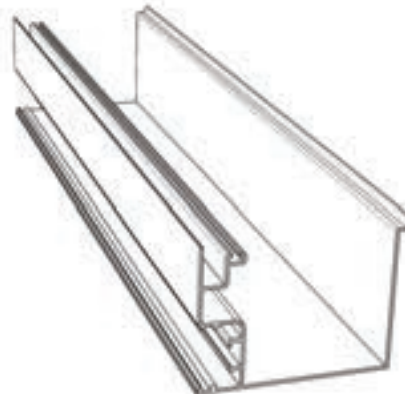
GU 3169
1,135 kg/m



GU 3171
4,691 kg/m



GU 3170
4,859 kg/m



GU 3167
1,558 kg/m

Powered by an electric motor and sealed with high quality gasket plugs, providing a completely airtight space which can be used in all weather conditions.

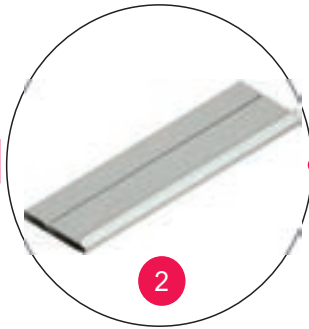
The motorized roof consists of rotatable aluminum panels

GU 3166



1

GU 3172



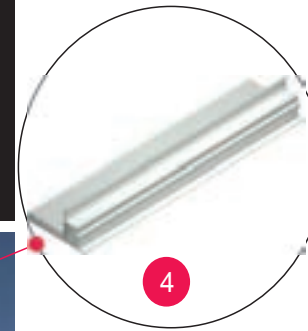
2

GU 3171



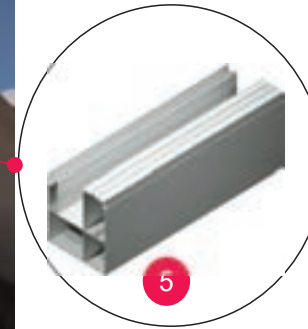
3

GU 3165



4

GU 3170



5

GU 3174



6



1 Panel

4 Connection Part of Rail

2 Cover

5 Rail

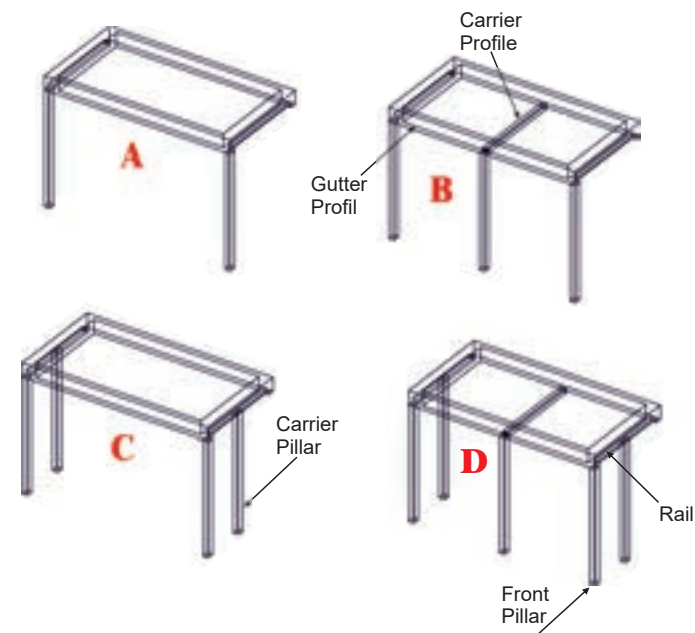
3 Gutter

6 Pillar

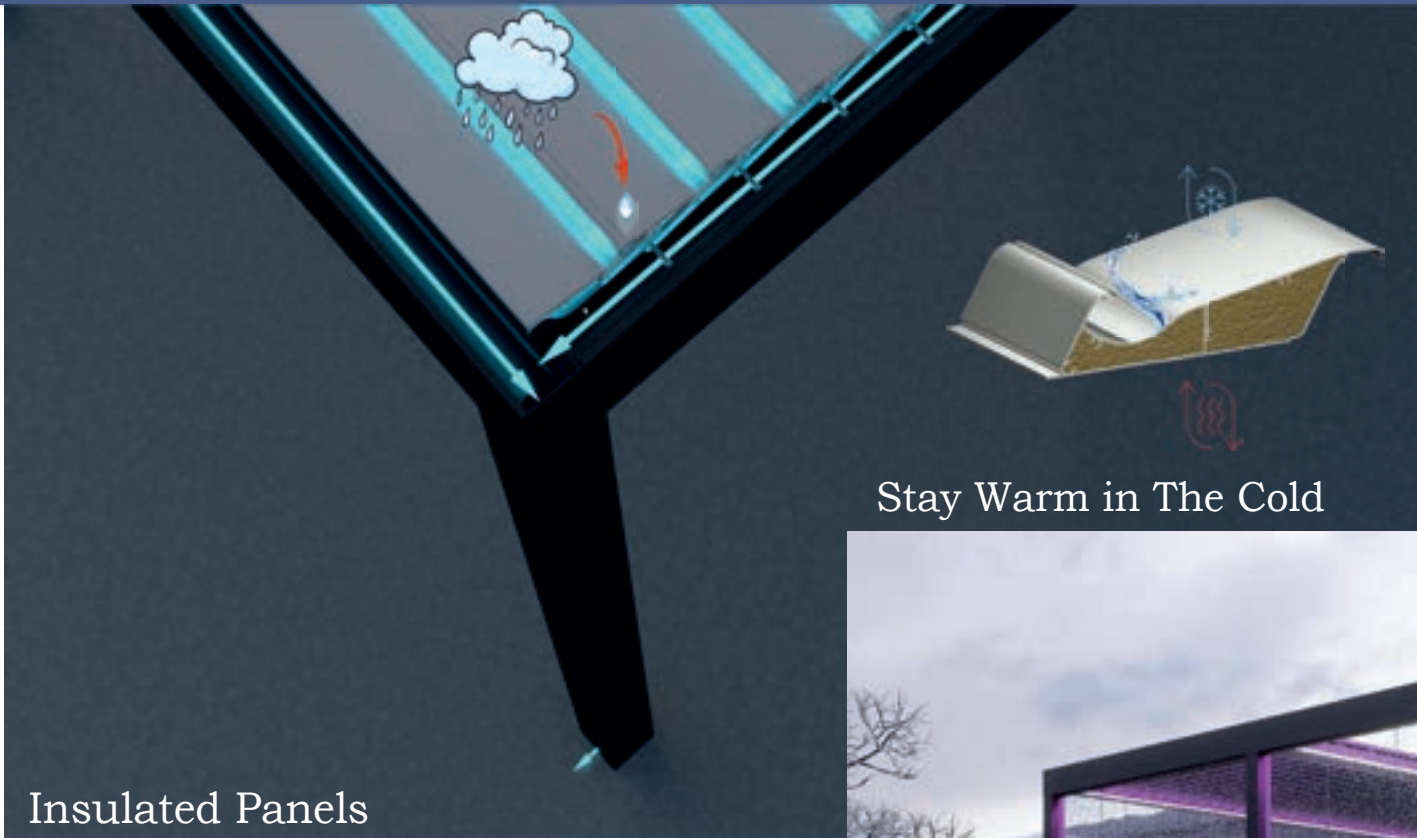
CALCULATE STRUCTURE OF ROLLING ROOF SYSTEMS

Projection / mm	Width / mm									
	MIN	3000	3500	4000	4500	5000	5500	6000	6500	7000
3000	A	A	A	A	B	B	B	B	B	B
3500	A	A	A	A	B	B	B	B	B	B
4000	A	A	A	A	B	B	B	B	B	B
4500	A	A	A	A	B	B	B	B	B	B
5000	A	A	A	A	B	B	B	B	B	B
5500	A	A	A	A	B	B	B	B	B	B
6000	A	A	A	A	B	B	B	B	B	B
6500	C	C	C	C	D	D	D	D	D	D
7000	C	C	C	C	D	D				
7500	C	C	C	C	D	D				
8000	C	C	C	C						
8500	C	C	C	C						
										MAX

ROLLING ROOF Designing



Material...	aluminium
Canopy material	with smooth slats, sun shade louvers
Specifications	custom, Rolling bioclimatic, motorized, wind-proof
Options and accessories	with integrated LED
Style	contemporary
Ecological characteristics	energy-saving, recyclable, 100% recyclable
Color	Main Color (White / Black ...)



Stay Warm in The Cold



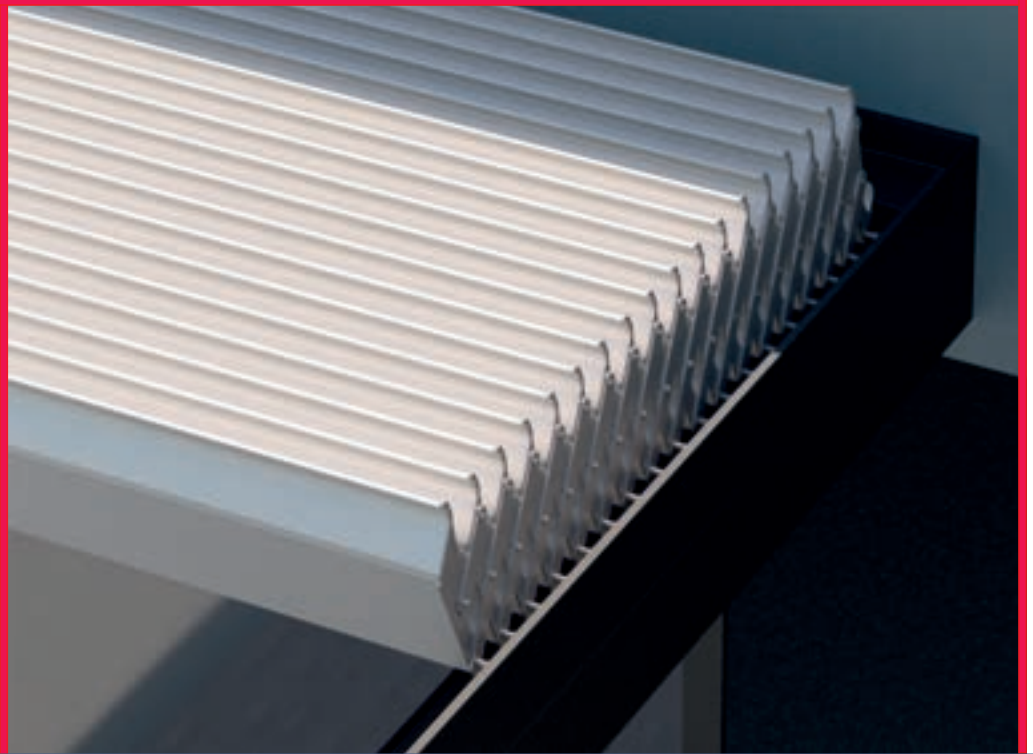
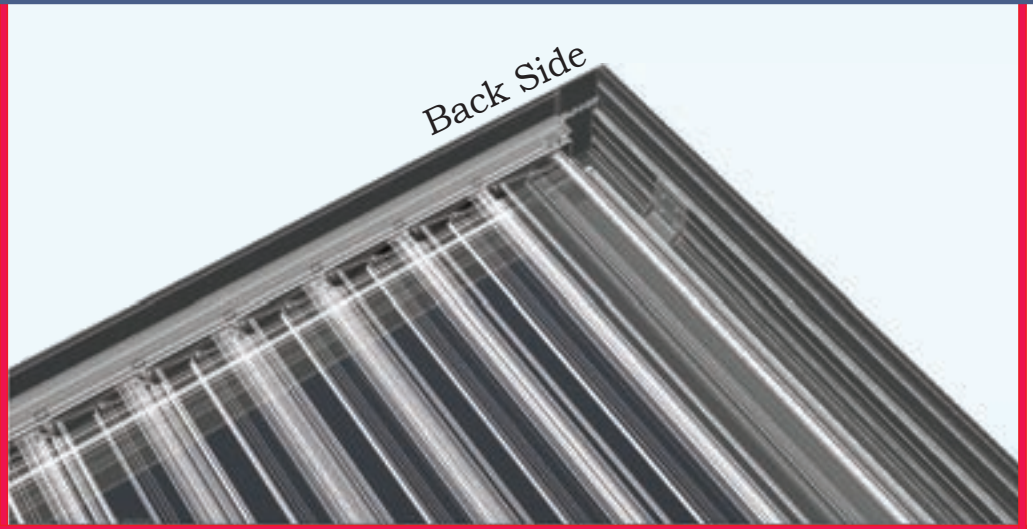
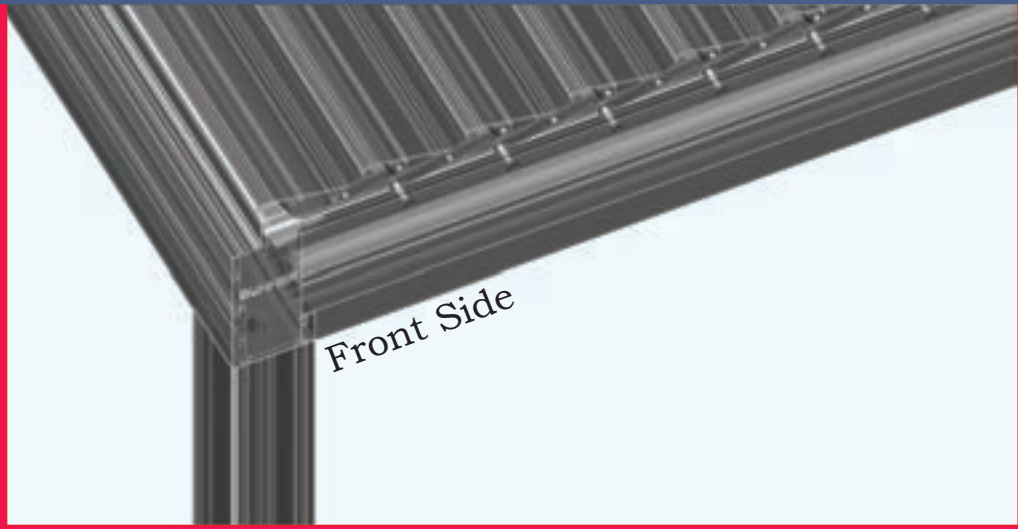
Stay Cold in The Warm

Insulated Panels

Significantly reduces wastage of hot weather in winter and cold weather in summer.

Panels can be filled with Polyurethane Foam which provides extra comfort.





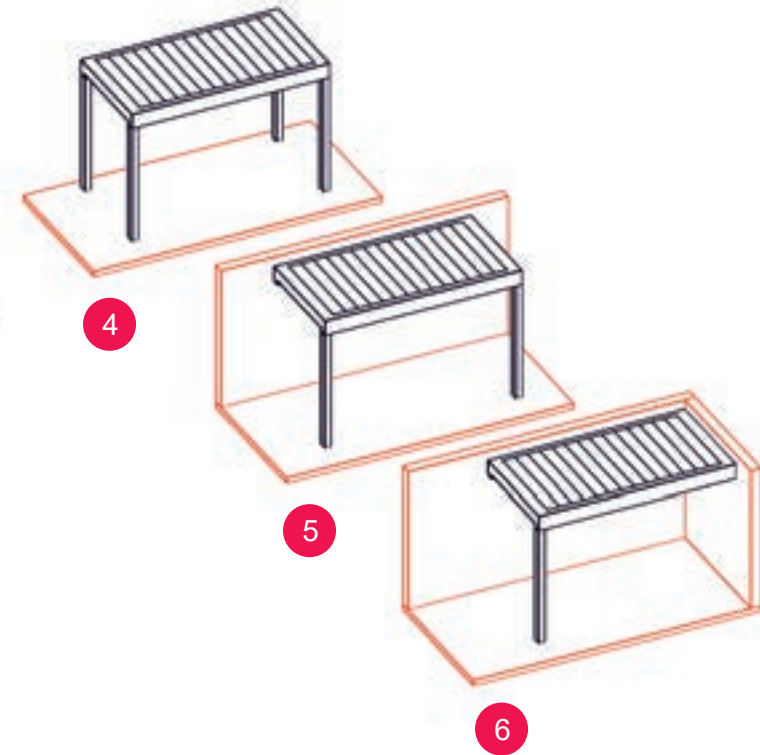
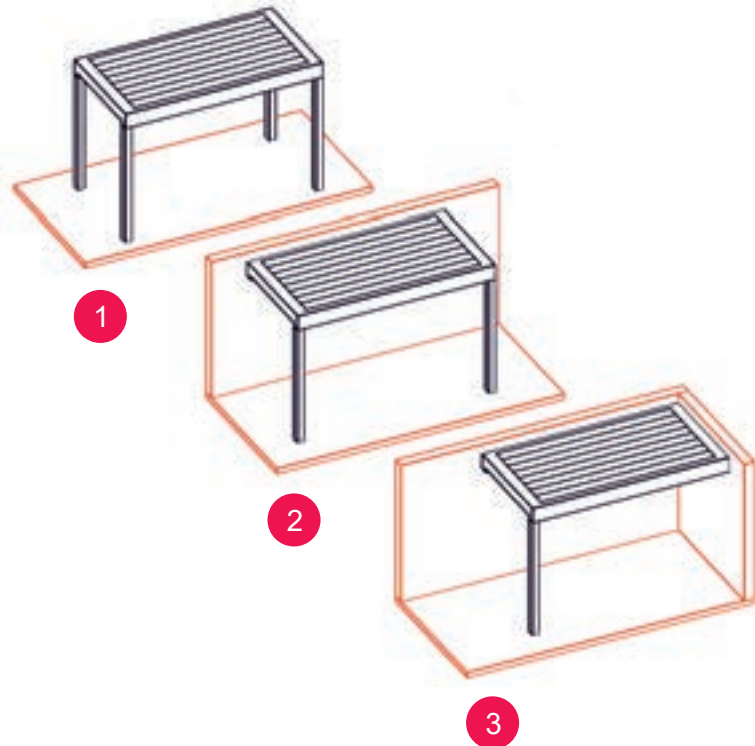


Rainwater or snow from the surface of the panels is directed to the gutters that are installed around the system and is directed into the pipes inside the pillars and finally drained out



The Top View Shows The Three Positions of The Panels

STANDING POSITIONS OF ROLLING ROOF



- 1 SELF STANDING SINGLE MODULE (Horizontal Panels)
- 2 WALL ASSAMBELED ON ONE SIDE (Horizontal Panels)
- 3 WALL ASSAMBELED ON TWO SIDES (Horizontal Panels)
- 4 SELF STANDING SINGLE MODULE (Vertical Panels)
- 5 WALL ASSAMBELED ON ONE SIDE (Vertical Panels)
- 6 WALL ASSAMBELED ON TWO SIDES (Vertical Panels)



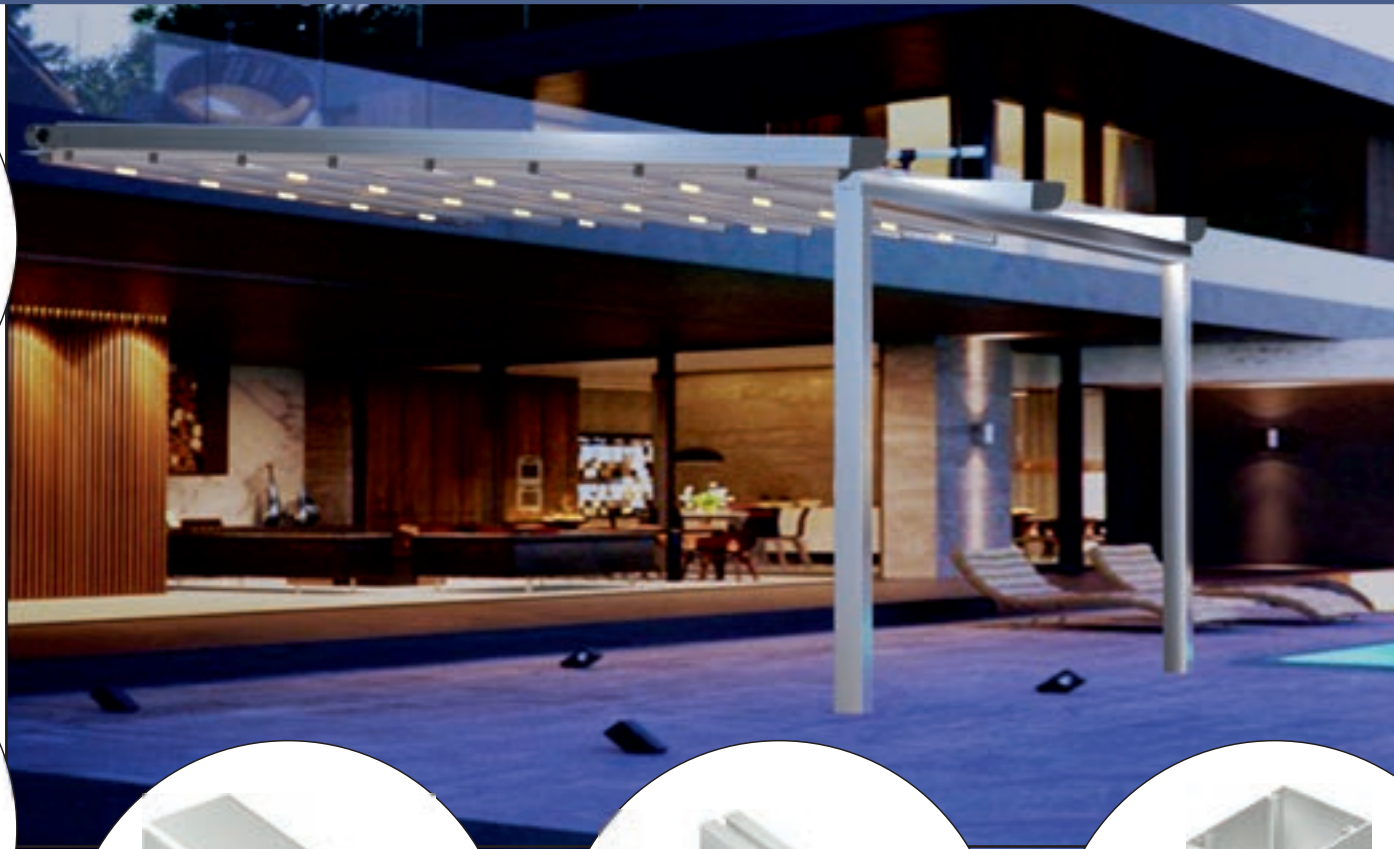








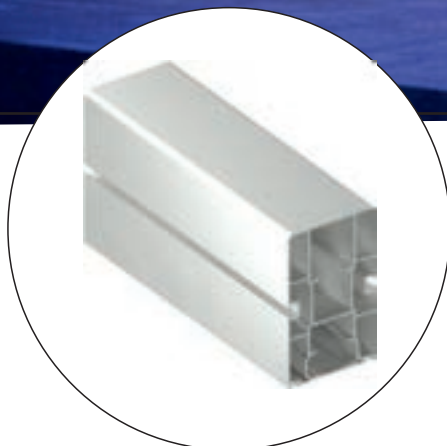




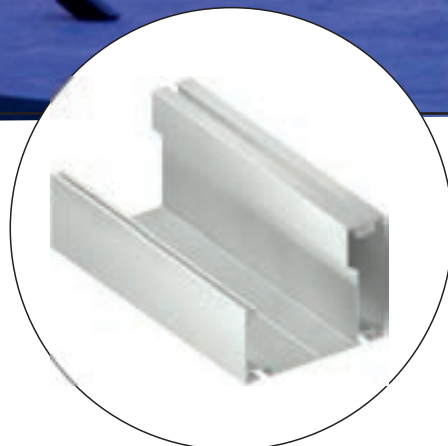
**CROSSBAR
SINGLE PIECE**
PR1005



**CROSSBAR
WITH COVER (LED)**
PR1004



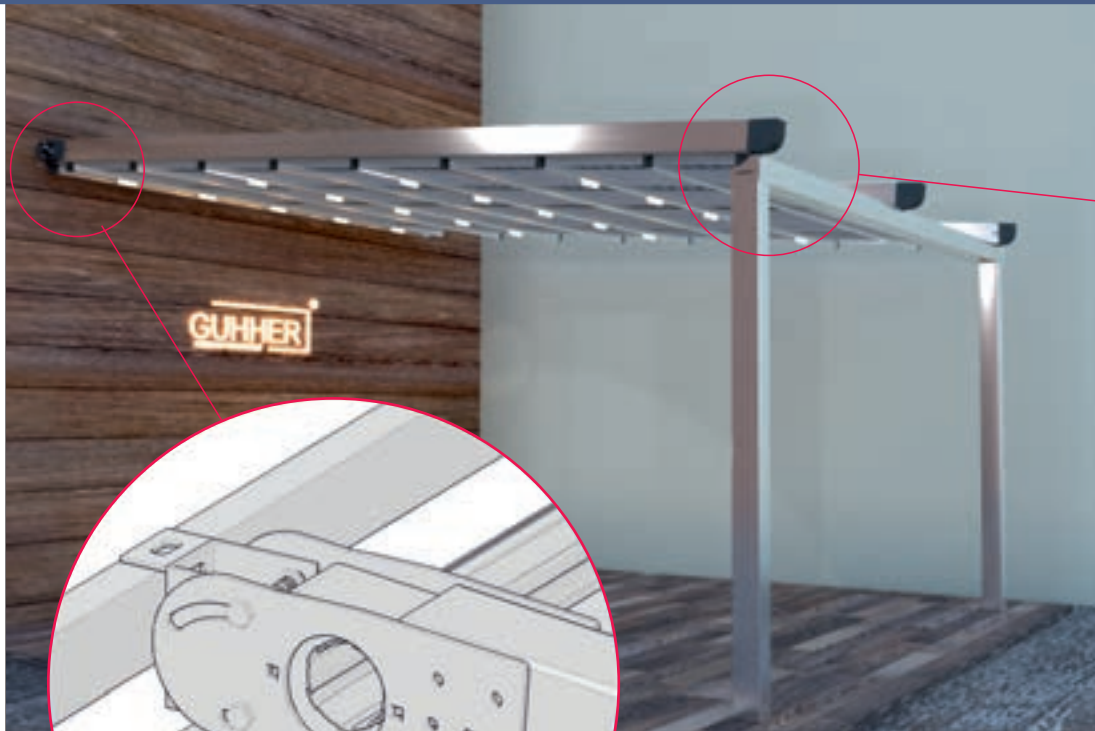
RAIL
PR1003



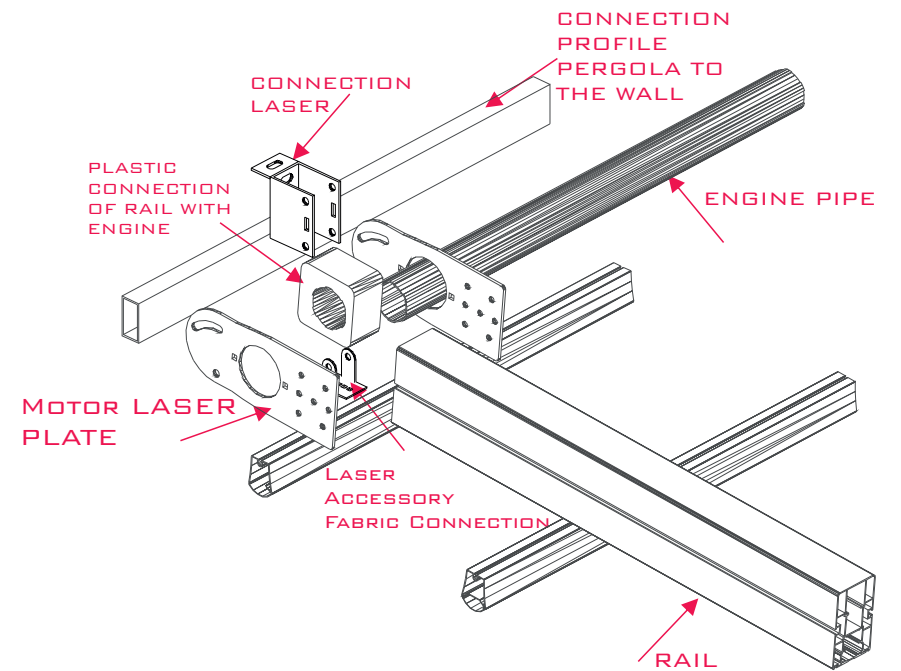
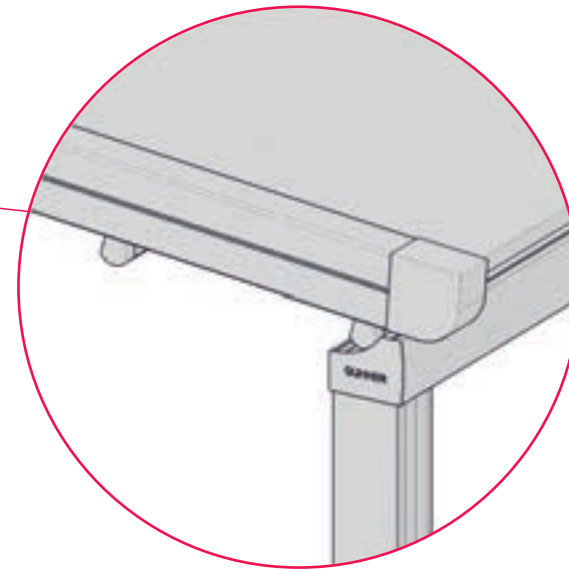
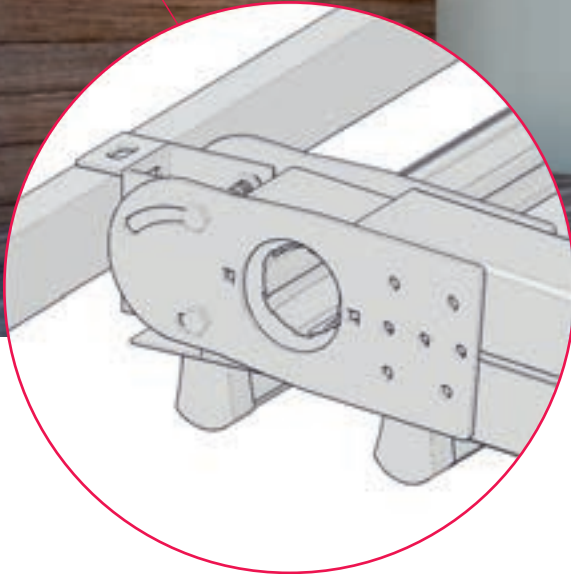
GUTTER
PR1002

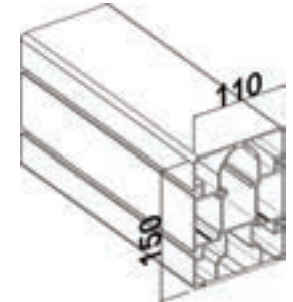


PILLAR
PR1001

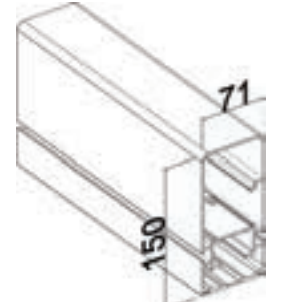


CONNECTION AND FIX PERGOLA ON THE WALL

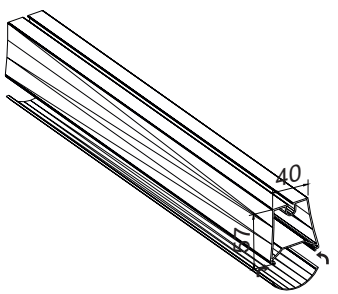




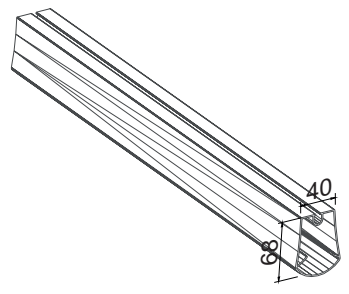
THICK RAIL



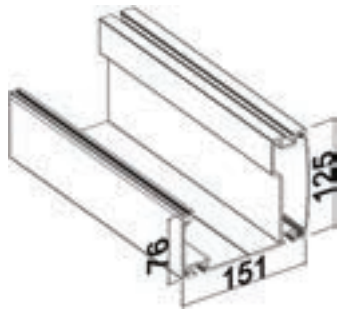
THIN RAIL



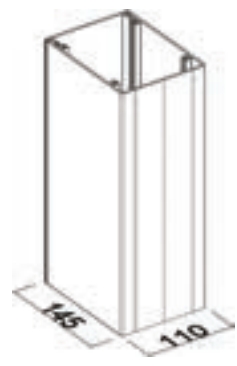
CROSSBAR WITH COVER (LED)



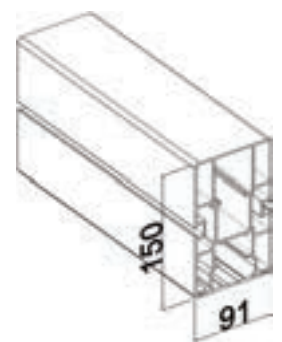
CROSSBAR SINGLE PIECE



GUTTER



PILLAR



MIDDLE RAIL



Pergola Led Lighting

professional led system



COLOR CUSTOMIZATION

YOU CAN CHOOSE THE ALL RAL COLORS

FABRICS TESTING

EN	TEST METHOD	PHFR B70
Base Fabric		PES
Coating		PVC
Den (Denier)		1000x1000
Weaving		10x10
Total Weight (gsm)	TS 251-1991 METOT 6	870
Width (cm)		250, 300, 320
Tensile Strength (N/5 cm)	TS 2008 EN ISO 1421:2000 METOT 1	2300/2400 (Warp/Weft)
Tear Resistance (N)	DIN 53363	330/280 (Warp/Weft)
Adhesion (daN/5 cm)	EN ISO 2411	7
Light fastness	ISO 105 B04:1994	6+
Water Resistance (mm/5)	TS 257 EN 20811-1996	Min. 8000
Wear	TS EN 530:2011	Min. 9000 Rotation
Temperature Resistance		-40C +70C
Flame Retardancy	DIN4102-B2, ISO 6941-2003	PASS



FABRIC COLORS



ALUMINUM COLORS





Profile No	kg/m
2004	2,555



Profile No	kg/m
2012	4,113



Profile No	kg/m
2011	0,890



Profile No	kg/m
2539	0,290



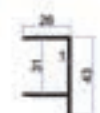
Profile No	kg/m
2538	0,210



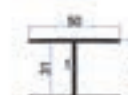
Profile No	kg/m
2542	0,180



Profile No	kg/m
2543	0,230



Profile No	kg/m
2544	0,240



Profile No	kg/m
2545	0,285



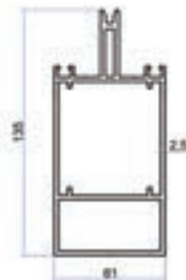
Profile No	kg/m
2009	3,050



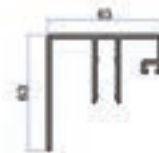
Profile No	kg/m
2010	1,025



Profile No	kg/m
2394	0,177



Profile No	kg/m
2005	3,230



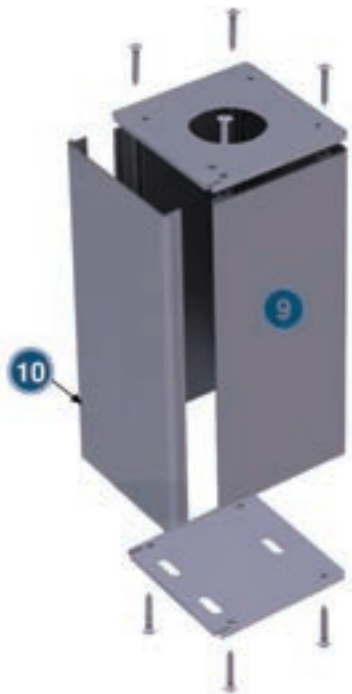
Profile No	kg/m
2008	1,060



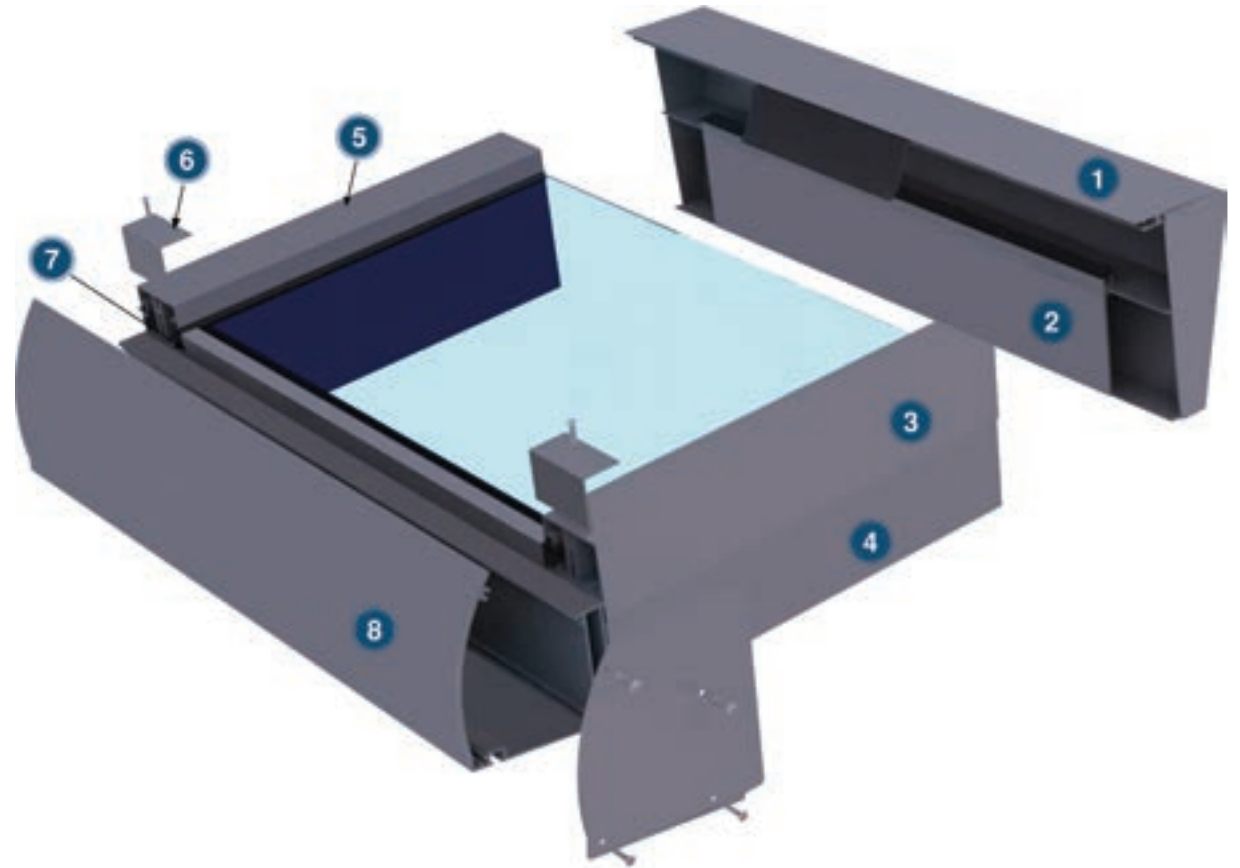
Profile No	kg/m
2007	0,925



Profile No	kg/m
2546	1,501



- 1 2004 NOLU PROFİL
- 2 2011 NOLU PROFİL
- 3 2008 NOLU PROFİL
- 4 2005 NOLU PROFİL
- 5 2007 NOLU PROFİL
- 6 2394 NOLU PROFİL
- 7 2542 NOLU PROFİL
- 8 2012 NOLU PROFİL
- 9 2009 NOLU PROFİL
- 10 2010 NOLU PROFİL





Kış Bahçesi Arka Askı
Winter Garden Rear Hanger

Product Code: 2004

Weight kg/m: 2,555
(187 x 69 x 3mm)



Kış Bahçesi Ayak Kapak Profili
Winter Garden Foot Cover Profile

Product Code: 2010

Weight kg/m: 1,025
(130 x 17 x 2,4mm)



Kış Bahçesi Ayak Profili
Winter Garden Foot Profile

Product Code: 2009

Weight kg/m: 3,050
(130 x 124 x 2,4mm)



Kış Bahçesi Radüs Oluk
Winter Garden Radius Gutter

Product Code: 2012

Weight kg/m: 4,113
(150 x 158 x 2,5mm)



**Kış Bahçesi Kapak Profili
(Sağ ve Sol)**
*Winter Garden Cover Profile
(Right and Left)*

Product Code: 2008

Weight kg/m: 1,060
(63 x 63 x 1,8mm)



Kış Bahçesi Kapak Profili
Winter Garden Cover Profile

Product Code: 2007

Weight kg/m: 0,925
(37 x 63 x 1,8mm)



Kış Bahçesi Cam Tutucu
Winter Garden Glass Holder

Product Code: 2005

Weight kg/m: 3,230
(135 x 61 x 2,5mm)



Kış Bahçesi Oluk ve Arka İç Kapak
Winter Garden Gutter and Rear Inner Cover

Product Code: 2011

Weight kg/m: 0,890
(106 x 11 x 2,6mm)



Kış Bahçesi Köşebent
Winter Garden Bracket

Product Code: 2394

Weight kg/m: 0,177
(40 x 20 x 1,1mm)



8mm F Profil
8mm F Profile

Product Code: 2542

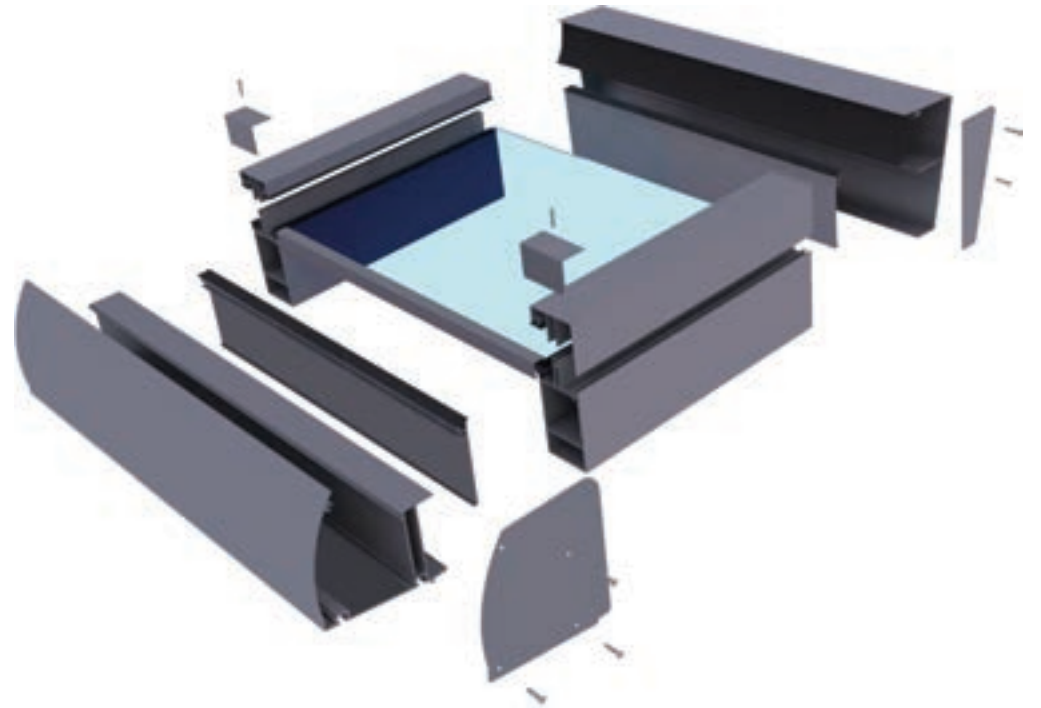
Weight kg/m: 0,180
(21 x 26 x 1mm)



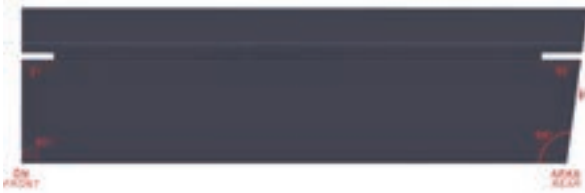
15x160 Lambiri
15x160 Paneling

Product Code: 2546

Weight kg/m: 1,591
(160 x 16 x 1,6mm)



ANTORYUM OVAL KERTME İŞLEMİ
ANTORYUM OVAL LOSS OPERATION



ANTORYUM OVAL AYAK BAĞLANTI
ANTORYUM OVAL FOOT CONNECTION





Baskı Contası
Print Gasket

Product Code: KIS-09

1 Top: 174 mt/15 kg
1 Roll: 174 mt/15 kg



Arka Baskı Contası
Back Print Gasket

Product Code: KIS-10

1 Top: 41 mt/15 kg
1 Roll: 41 mt/15 kg



24V Led
24V Led

Product Code: KIS-22

Box Piece: 100
Box Piece: 100



10x80 Çelik Lama
10x80 Steel Flat Bar



2x0.75 Nyaf Kablo
2x0.75 Nyaf Cable

Product Code: KIS-23

1 Top: 100 mt
1 Roll: 100 mt



75'lik Filtre
75 Filter

Product Code: KIS-08



24V / 5A Led Trafo
24V / 5A Led Transformer

Product Code: KIS-21



Kapaklı Ayak Üst Bağlantı Sacı
Covered Foot Top Connection Plate

Product Code: KIS-02

Kalip No: 2009, 2010 Nolu Profilde kullanılır.
Mold Number: Used in profile no 2009, 2010



Kapaklı Ayak Alt Bağlantı Sacı
Covered Foot Bottom Connection Plate

Product Code: KIS-03

Kalip No: 2009, 2010 Nolu Profilde kullanılır.
Mold Number: Used in profile no 2009, 2010



Arka Askı Sacı
Rear Hanger Plate

Product Code: KIS-04

Kalip No: 2004 Nolu Profilde kullanılır.
Mold Number: Used in profile no 2004



Oval Oluk Sacı
Oval Gutter Sheet

Product Code: KIS-05

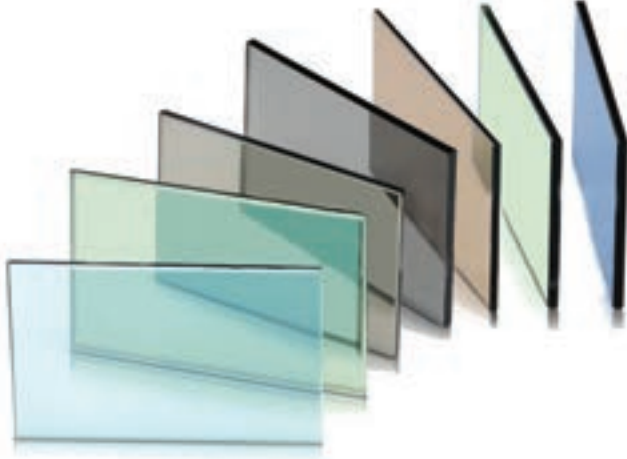
Kalip No: 2012 Nolu Profilde kullanılır.
Mold Number: Used in profile no 2012



Lama Somun Sacı
Lama Nut Sheet

Product Code: KIS-06

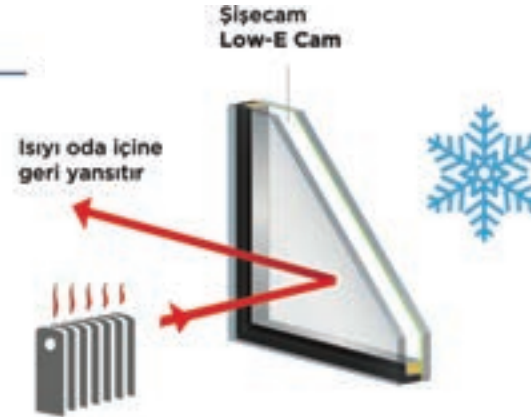
2012 Oluk Kapaklı Ayak Bağlantı
2012 Gutter Covered Leg Connection



Lamine Cam
Laminated Glass

ANTORYUM OVAL
Minimum 8mm - Maximum 12 mm

ANTORYUM FLAT
Minimum 8mm - Maximum 12 mm



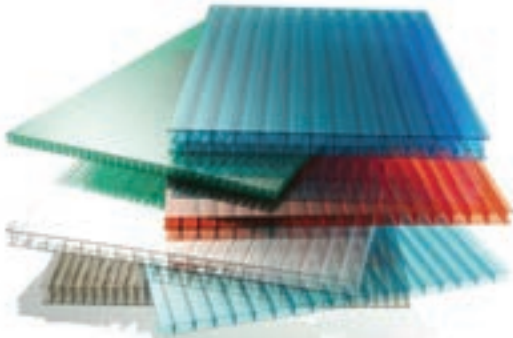
Şişecam
Low-E Cam

Isıyı oda içine
geri yansıtır

Isıcam
Insulating Glass

ANTORYUM OVAL
Minimum 8mm - Maximum 24 mm

ANTORYUM FLAT
Minimum 8mm - Maximum 32 mm



Polikarbon
Polycarbonate

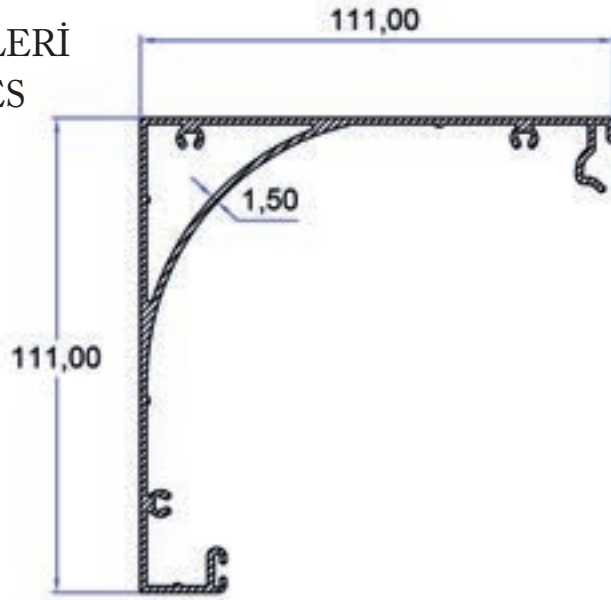
ANTORYUM OVAL
Minimum 8mm - Maximum 24 mm

ANTORYUM FLAT
Minimum 8mm - Maximum 32 mm

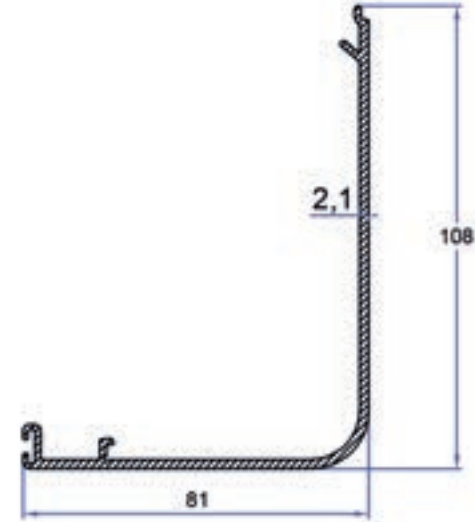


GLASS ROOF

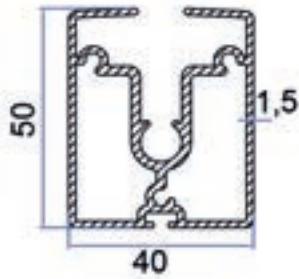
ZİP SİSTEMİ PROFİLLERİ ZIP SYSTEM PROFILES



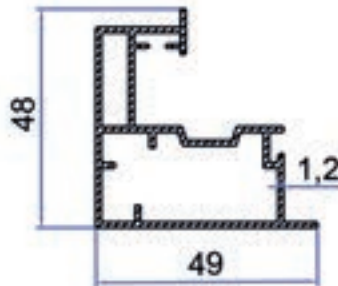
MOTOR KUTUSU
ENGINE BOX
2878
1.608 kg/m



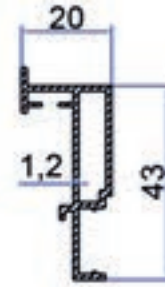
MOTOR KUTUSU KAPAĞI
ENGINE BOX COVER
2875
1.142 kg/m



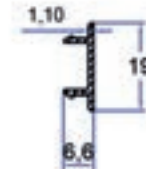
SAÇAK PROFİLİ
FRINGE PROFILE
2937
1.201kg/m



DİKME PROFİLİ
SEWING PROFILE
2877
0.736 kg/m



DİKME PROFİLİ 2
SEWING PROFILE 2
2874
0.387 kg/m



DİKME VİDA KAPAĞI
SEWING SCREW COVER
2876
0.085 kg/m

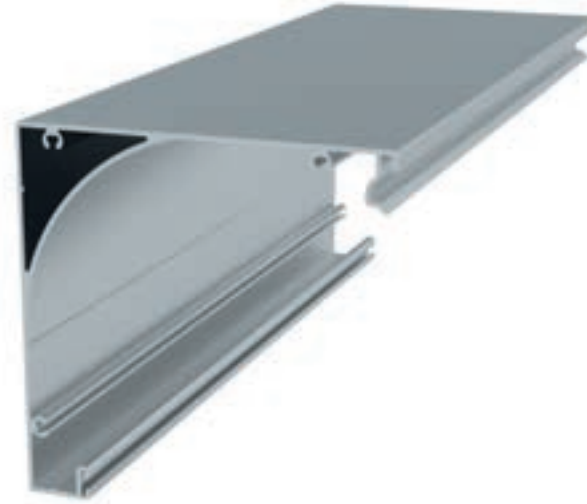
ZIP SİSTEMİ PROFİLLERİ ZIP SYSTEM PROFILES



Saçak Profili
Fringe Profile

Product Code: 2937

Weight kg/m: 1,
(53 x 45 x 1,2mm)



Motor Kutusu
Engine Box

Product Code: 2878

Weight kg/m: 1,608
(111 x 111 x 1,5mm)



Motor Kutusu Kapağı
Engine Box Cover

Product Code: 2875

Weight kg/m: 1,142
(108 x 81 x 2,1mm)

ZİP SİSTEMİ PROFİLLERİ ZIP SYSTEM PROFILES



Dikme Profili 2
Sewing Profile 2

Product Code: 2874

Weight kg/m: 0,387
(43 x 20 x 1,2mm)



Dikme Profili
Sewing Profile

Product Code: 2877

Weight kg/m: 0,736
(43 x 20 x 1,2mm)



Dikme Vida Kapağı
Sewing Screw Cover

Product Code: 2876

Weight kg/m: 0,085
(19 x 6,6 x 1,1mm)

ZİP PERDE TAKIMI / ZIP CURTAIN SET



Bayrak Sağ
Flag Right



Bayrak Sol
Flag Left



Bayrak Kızağı
Flag Sled



Rulman Yatağı Plastiği
Bearing Housing Plastic



Boru Başı ve Motor Switch Plastiği
Pipe Head and Motor Switch Plastic



6301 Rulman
6301 Rulman



Ağırlık Profili Çıtası
Weight Profile Lath



Ağırlık Profili Kapağı
Weight Profile Cover



Yan Dikme Profili Kapağı
Side Strut Profile Cover



3.9x19 YHB Vida
3.9x19 YHB Screw
Box Piece: 150



M3x8 H.B. Yıldız Başlı Inox
M3x8 H.B. Star Headed Inox
Box Piece: 20



M3 Somun
M3 Nut
Box Piece: 20



M6x8 Setskur Vida
M6x8 Setskur Screw
Box Piece: 20

ZİP AKSESUARLARI / ZIP ACCESSORIES



Zip Perde Fermuar
Zip Curtain Zipper

Code: ZIP-02
Roll: 200 mt.



6mm Pvc Çubuk
6mm Pvc Rod

Code: ZIP-03
Box Piece: 6 mt 25 Piece



Dikme Kueksiz Fitil
Sewing Quenched Roving

Code: ZIP-04
Box Piece: 6 mt.
25 Piece



Dikme Balonlu Contası
Strut Balloon Gasket

Code: ZIP-05
Roll: 100 mt.



SOMFY RTS 20 NM
SOMFY RTS 20 NM

Code: RTS-20
Box Piece: 1



SOMFY RTS 40 NM
SOMFY RTS 40 NM

Code: RTS-40
Box Piece: 1



Somfy Zip Perde
Motor Aparatı
Somfy Zip Curtain
Motor Apparatus

Code: ZIP-06
Box Piece: 1



Universal Zip Perde
Motor Aparatı
Universal Zip Curtain
Motorized Apparatus

Code: ZIP-08
Box Piece: 1



Motor Kutusu Contası
Engine Box Gasket

Code: GYT-28
Roll: 75 mt.



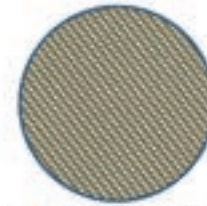
6.7x800 Kil Fitil
6.7x800 Bristle Wick

Code: GYT-29
Roll: 250 mt.



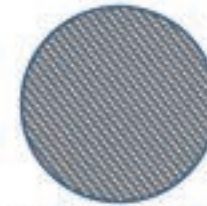
70 Lik Galvaniz Boru
70 Galvanized Pipe

Code: ZIP-07
Box Piece: 6 mt.



Zip Screen Kumaş Krem
Zip Screen Fabric Cream

Code: ZIP-K01
Roll: 1



Zip Screen Kumaş Gri
Zip Screen Fabric Gray

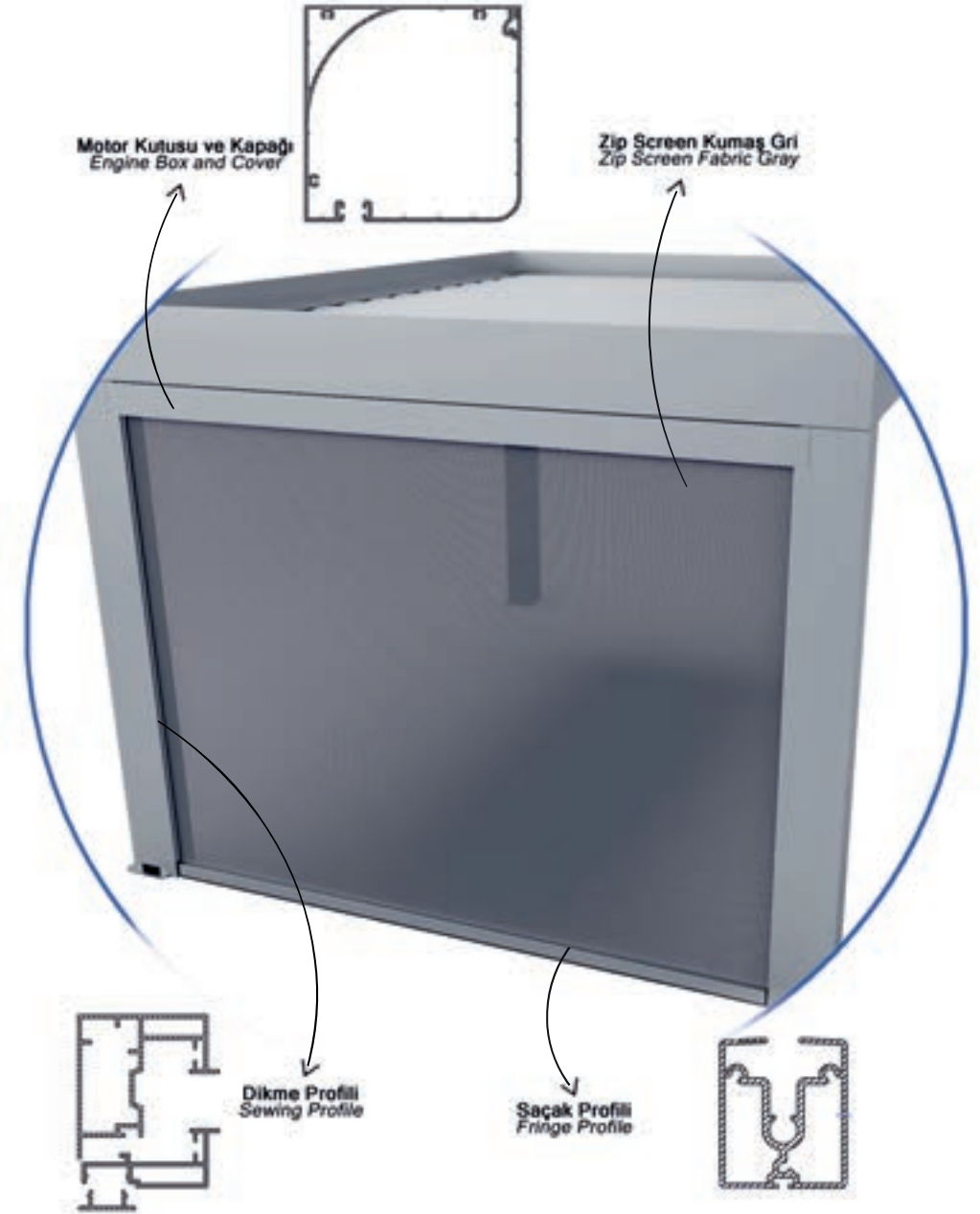
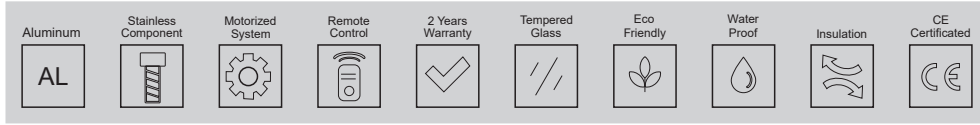
Code: ZIP-K02
Roll: 1



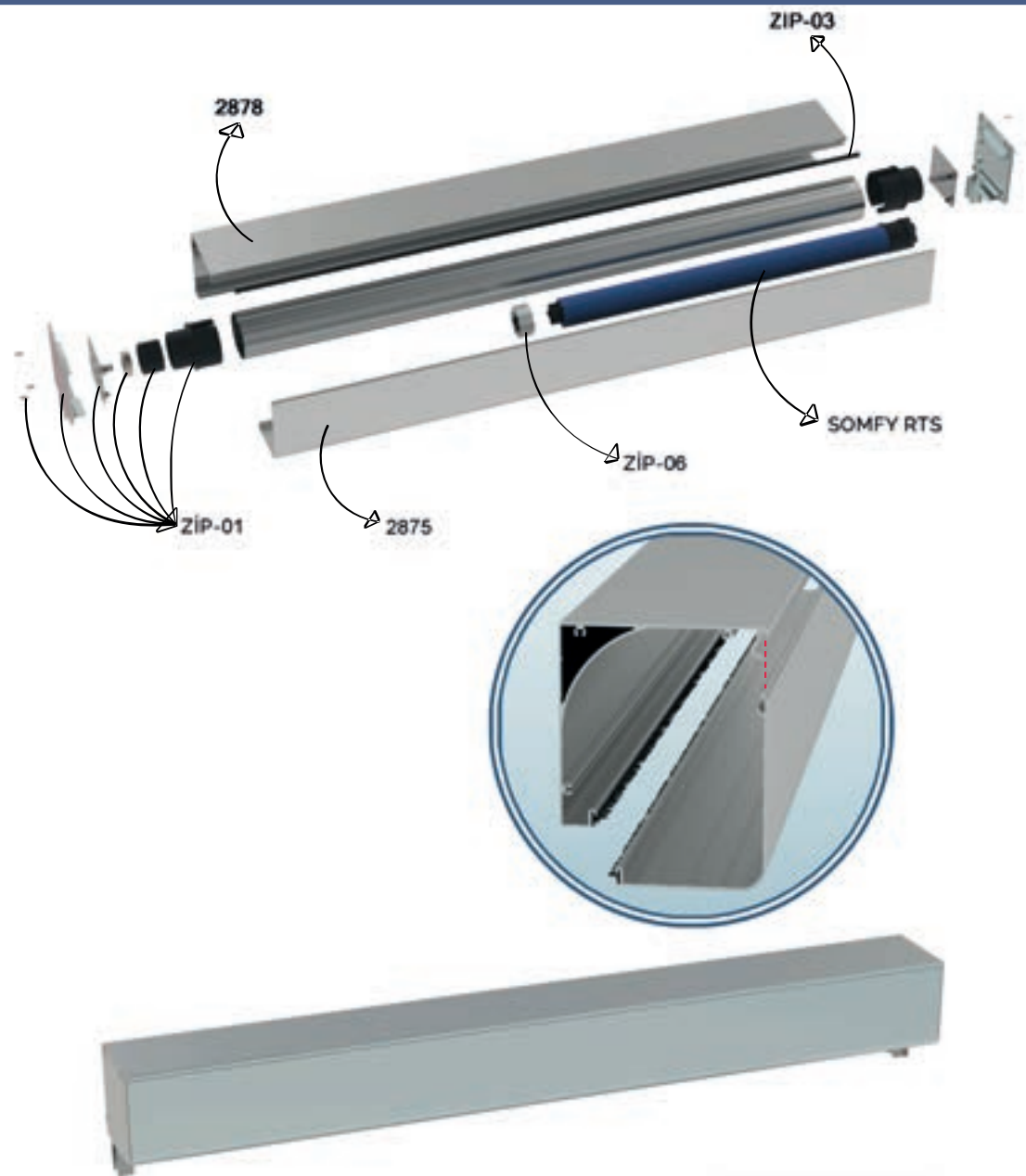
Zip Screen Kumaş Beyaz
Zip Screen Fabric White

Code: ZIP-K03
Roll: 1

ZİP SİSTEMİ / ZIP SYSTEMS

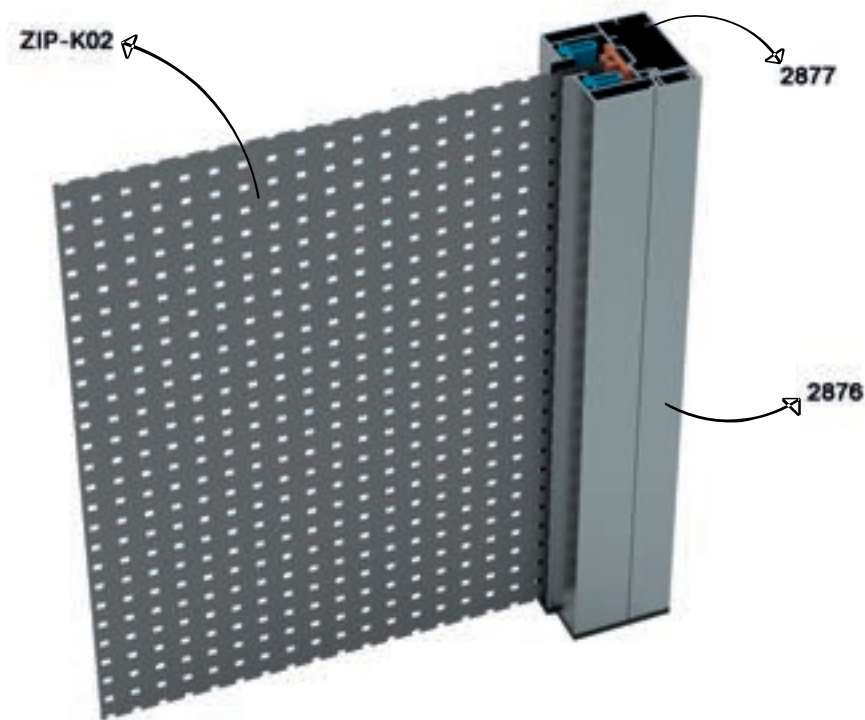
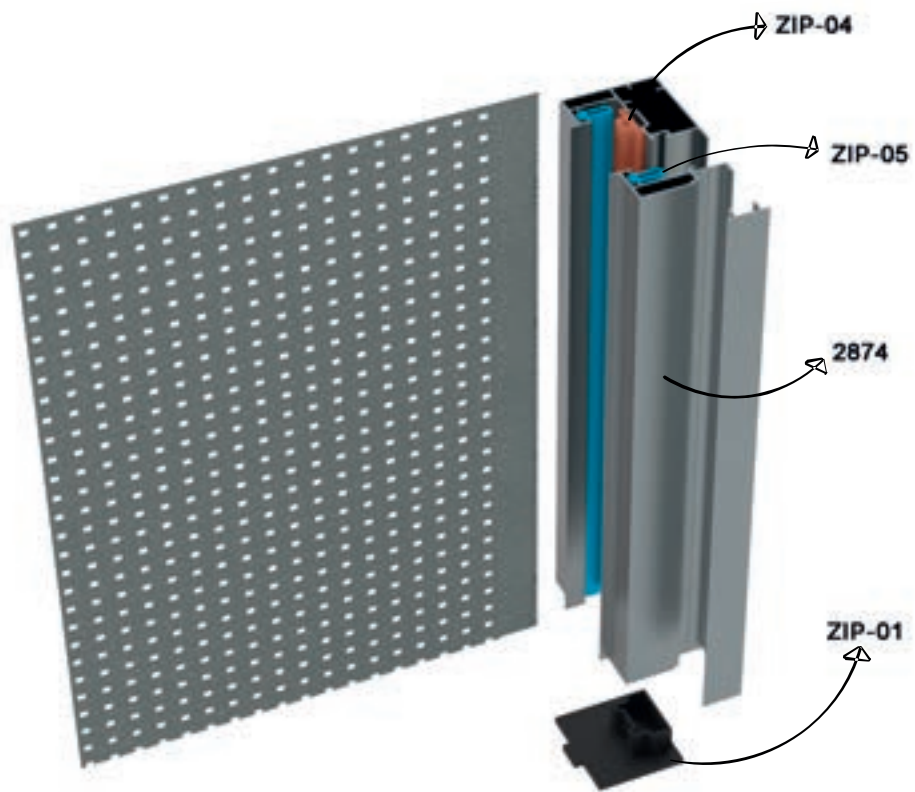


ZİP PERDE MOTOR KUTUSU MONTAJI ZIP CURTAIN MOTOR BOX ASSEMBLY

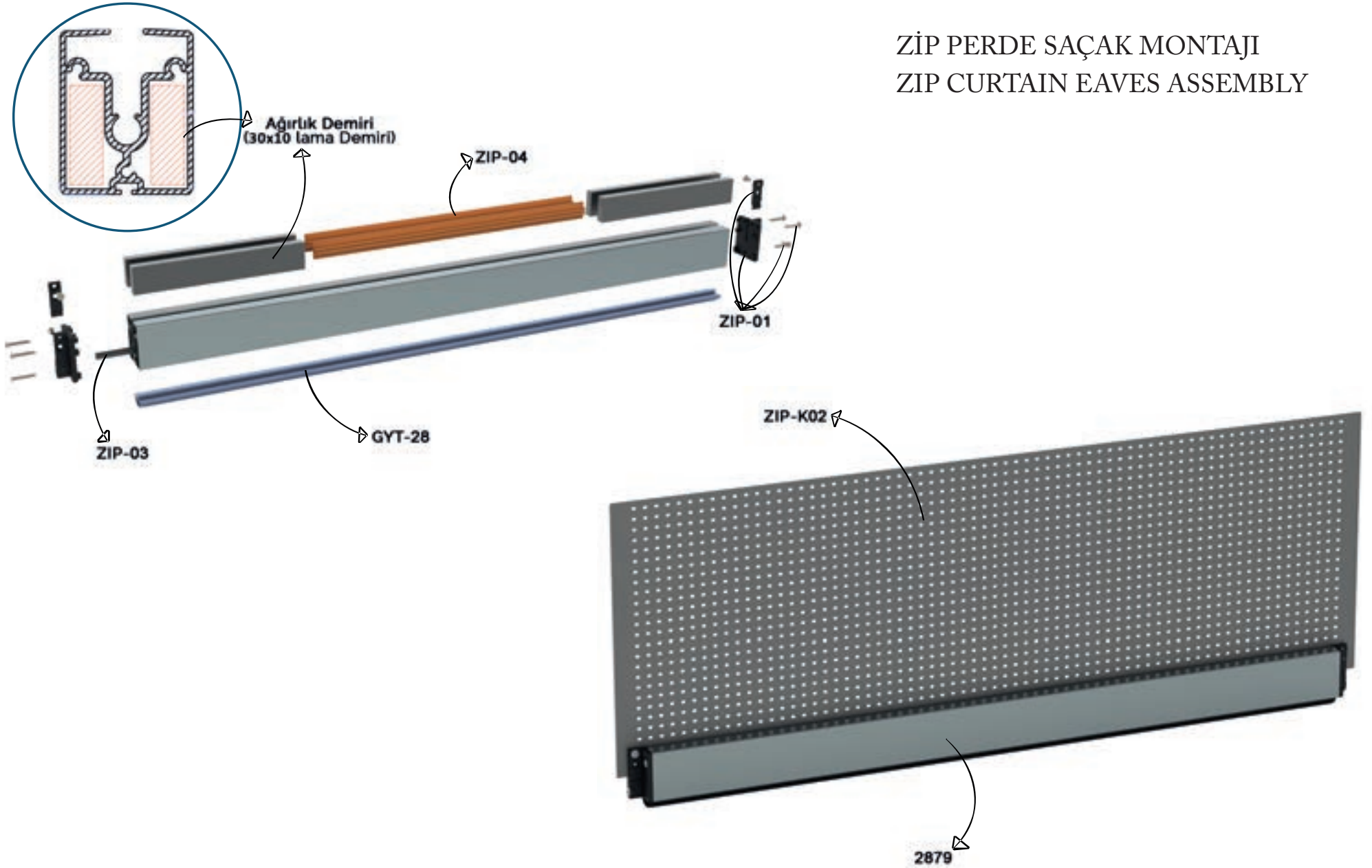


ZİP PERDE DİKME MONTAJI

ZIP CURTAIN SEWING ASSEMBLY



ZİP PERDE SAÇAK MONTAJI ZIP CURTAIN EAVES ASSEMBLY





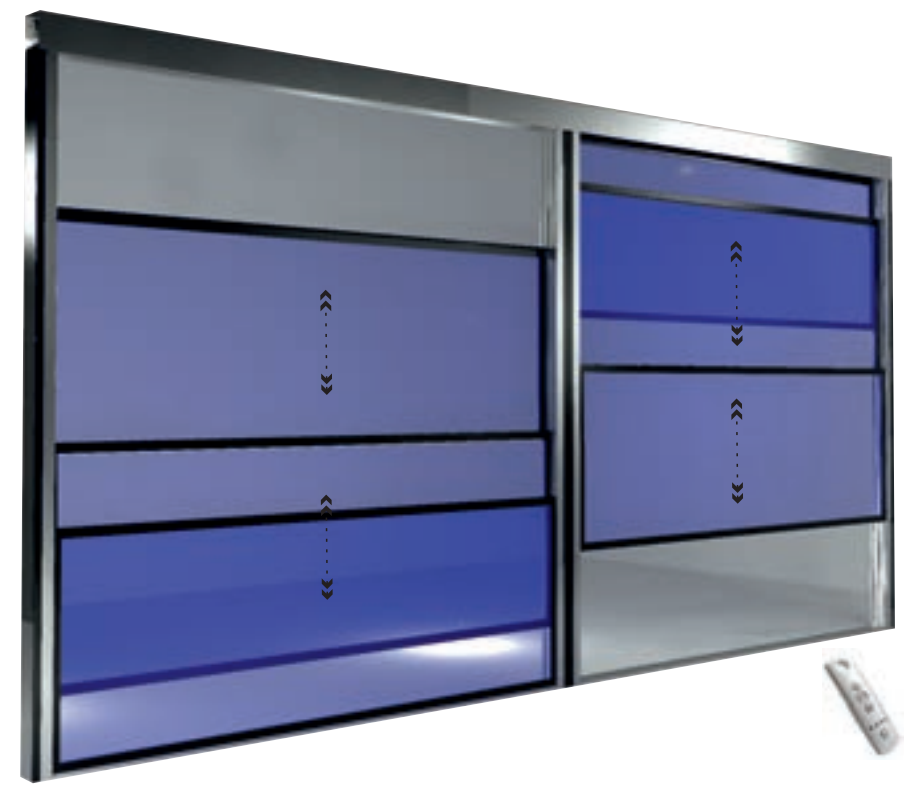
ZİP SİSTEMİ / ZIP SYSTEMS





- Aluminum
AL
- Stainless Component
- Motorized System
- Remote Control
- 2 Years Warranty
- Tempered Glass
- Eco Friendly
- Water Proof
- Insulation
- CE Certified

THE BEST SYSTEM WITH BEST ENGINES
THAT WE PROPOSAL TO YOU





2582-23

Weight (kg/m) 2,930 KG/M



2583-23

Weight (kg/m) 0,878 KG/M



2574-23

Weight (kg/m) 1,089 KG/M



2579-23

Weight (kg/m) 1,095 KG/M



2627-23

Weight (kg/m) 0,537 KG/M



2572-23

Weight (kg/m) 0,431 KG/M



2571-23

Weight (kg/m) 0,602 KG/M



2575-23

Weight (kg/m) 0,764 KG/M



2575-23

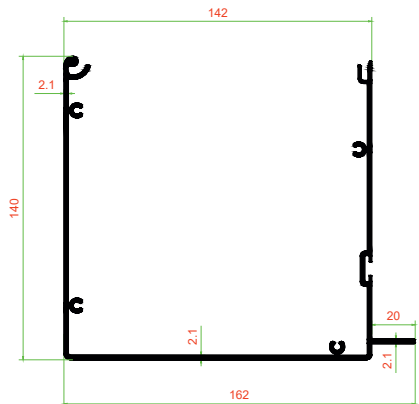
Weight (kg/m) 0,764 KG/M



2581-23

Weight (kg/m) 1,160 KG/M

* ALUMINUM PARTS
* POWDER COATING
* RAL COLOR



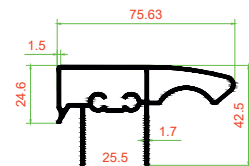
2582-23

Weight (kg/m) 2,930 KG/M



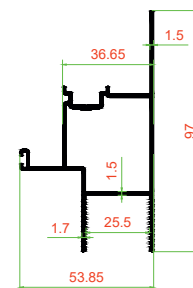
2583-23

Weight (kg/m) 0,878 KG/M



2579-23

Weight (kg/m) 1,095 KG/M



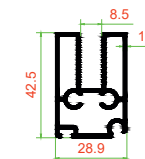
2574-23

Weight (kg/m) 1,089 KG/M



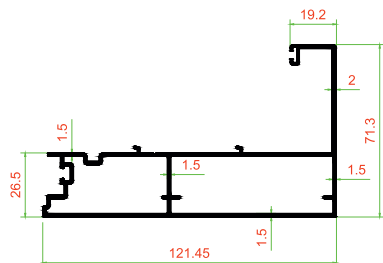
2627-23

Weight (kg/m) 0,537 KG/M



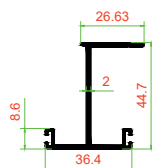
2575-23

Weight (kg/m) 0,764 KG/M



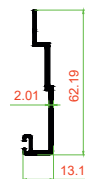
2570-23

Weight (kg/m) 1,770 KG/M



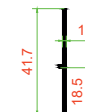
2571-23

Weight (kg/m) 0,602 KG/M



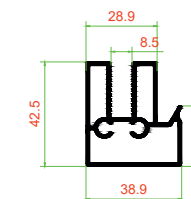
2572-23

Weight (kg/m) 0,431 KG/M



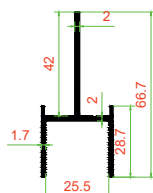
2573-23

Weight (kg/m) 0,176 KG/M



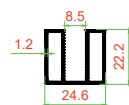
2575-23

Weight (kg/m) 0,764 KG/M



2576-23

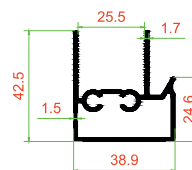
Weight (kg/m) 0,602 KG/M



2580-23

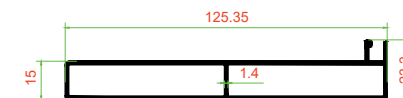
Weight (kg/m) 0,379 KG/M

* ALUMINUM PARTS



2575-23

Weight (kg/m) 0,764 KG/M

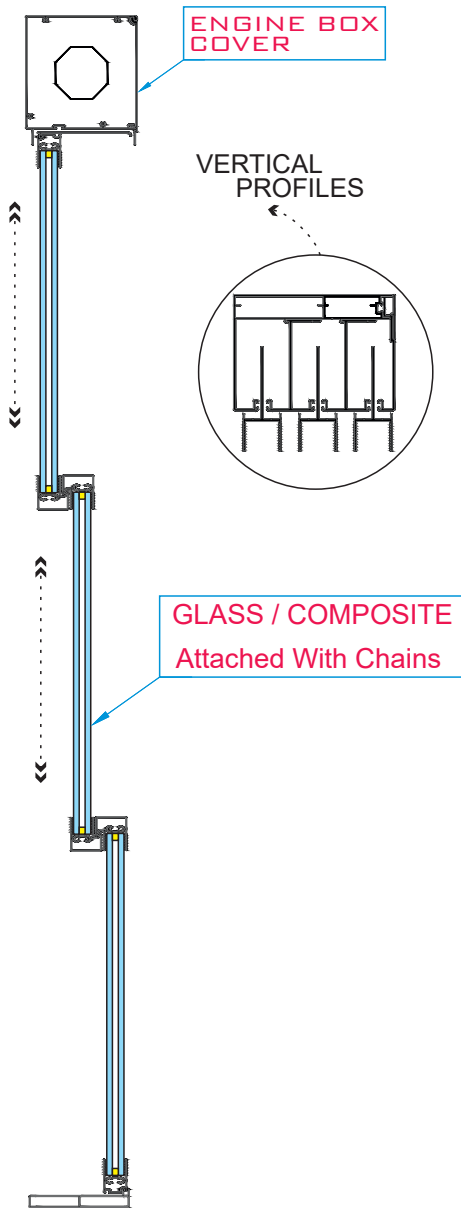
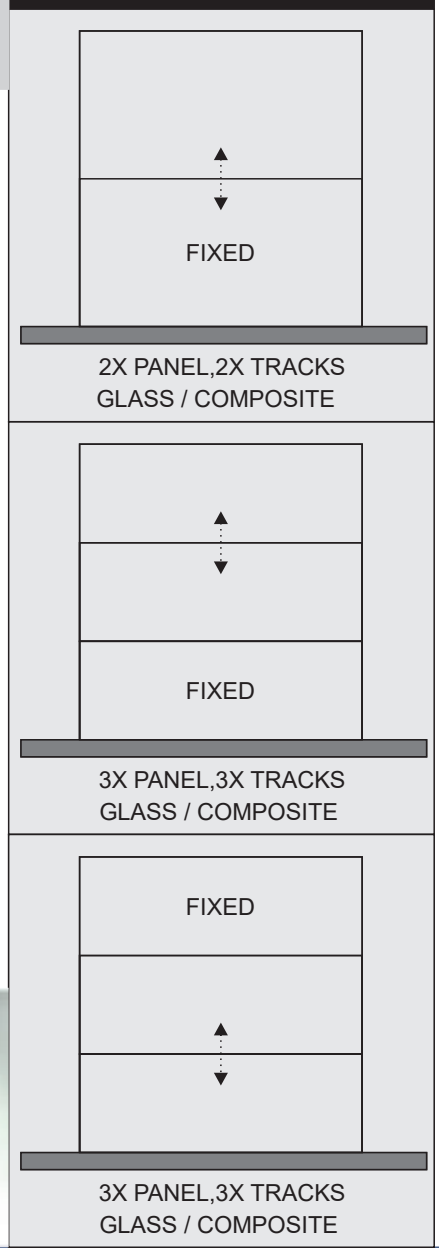


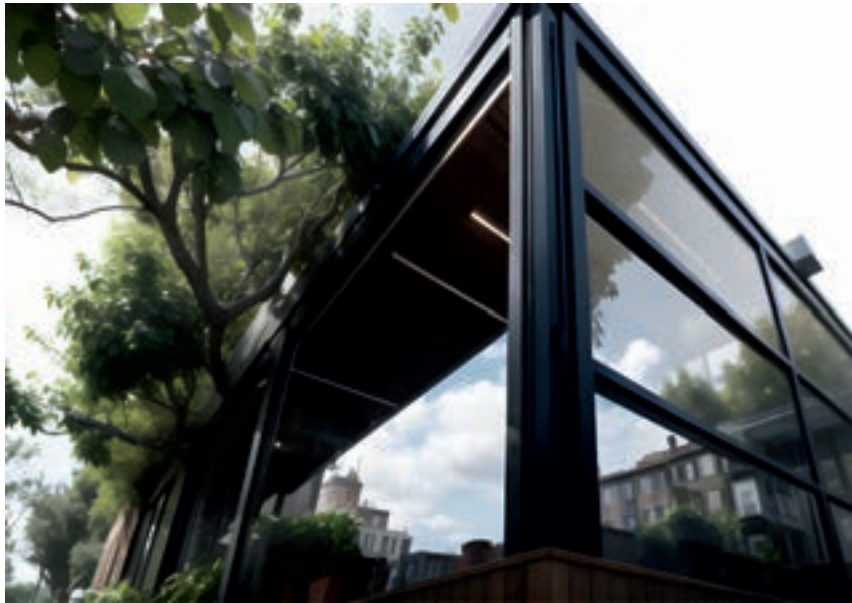
2581-23

Weight (kg/m) 1,160 KG/M

- Aluminum (AL)
- Stainless Component
- Motorized System
- Remote Control
- 2 Years Warranty
- Tempered Glass
- Eco Friendly
- Water Proof
- Insulation
- CE Certificated

POSITIONS OF GUILLOTINE SYSTEM





HOTELS / APARTMENTS / RESTAURANTS

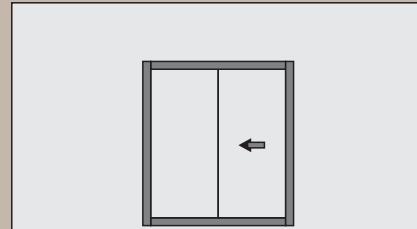


YOU MAY USE THIS SYSTEM ANYWHERE

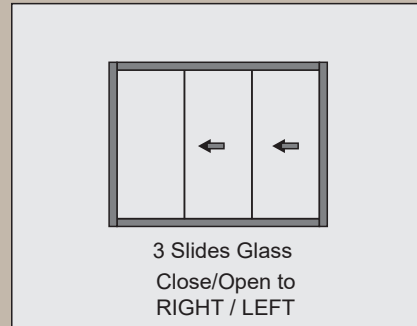


THE NEW SLIDING SYSTEMS HAVE ENHANCED THE KNOWN STRENGTHS OF WITH A NEW QUALITY

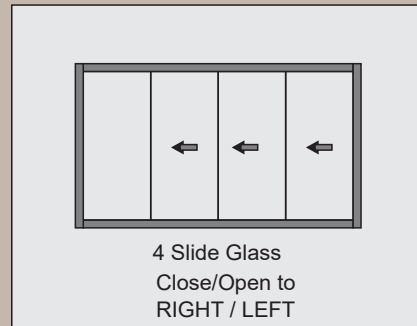
EFFECTIVE SOUND ATTENUATION.



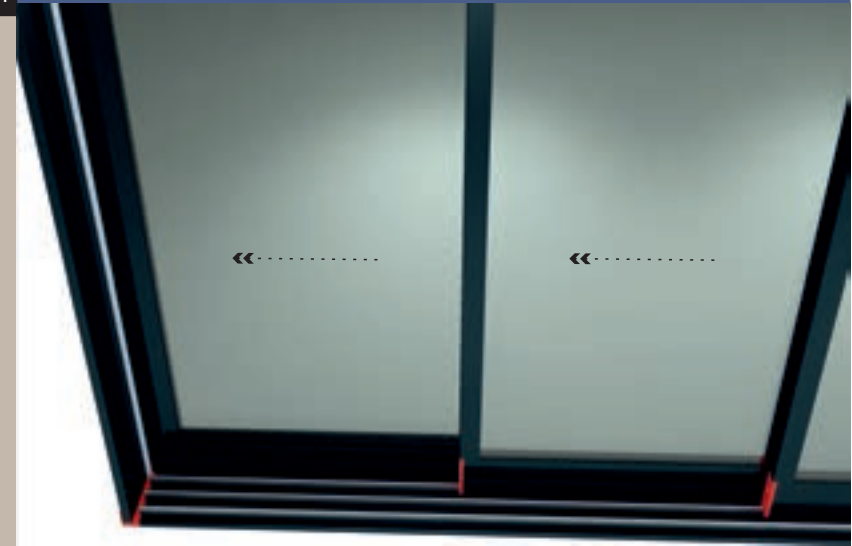
2 Slides Glass
Close/Open to
RIGHT / LEFT



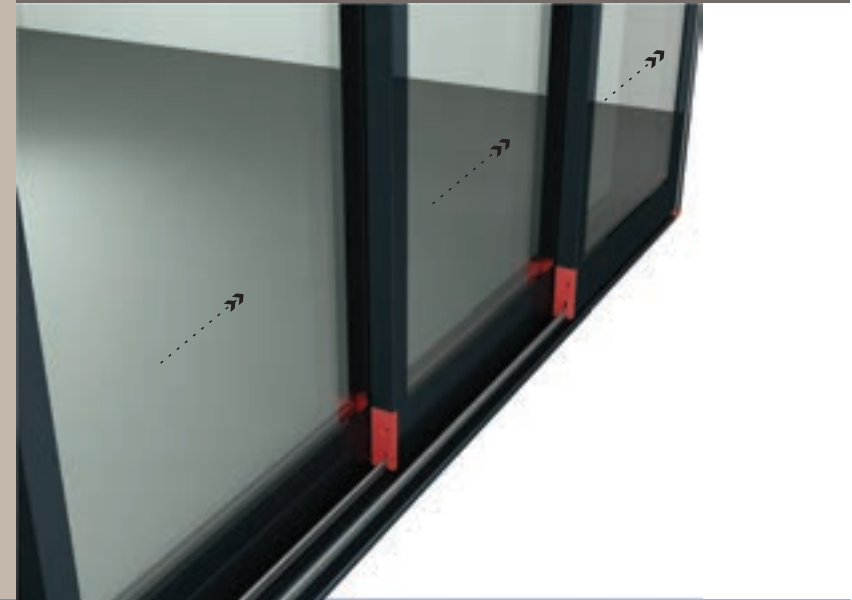
3 Slides Glass
Close/Open to
RIGHT / LEFT



4 Slide Glass
Close/Open to
RIGHT / LEFT



QUIET AND COMFORTABLE



2487-23

Weight (kg/m) 0,707 kg/m



2489-23

Weight (kg/m) 0,476 kg/m



2490-23

Weight (kg/m) 0,948 kg/m



2486-23

Weight (kg/m) 1,753 kg/m



2483-23

Weight (kg/m) 0,875 kg/m



2491-23

Weight (kg/m) 1,165 kg/m



2485-23

Weight (kg/m) 1,653 kg/m



2483-23

Weight (kg/m) 0,875 kg/m

2488-23

Weight (kg/m) 0,208 kg/m



2492-23

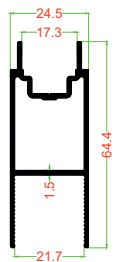
Weight (kg/m) 0,352 kg/m



2484-23

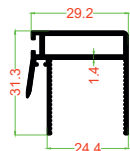
Weight (kg/m) 1,013 kg/m





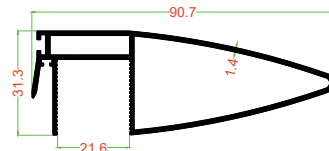
2487-23

Weight (kg/m) 0,707 KG/M



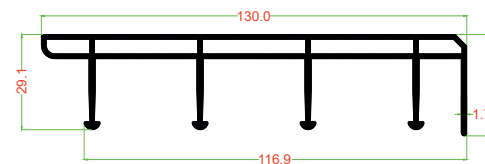
2489-23

Weight (kg/m) 0,476 KG/M



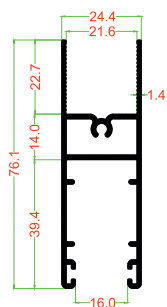
2490-23

Weight (kg/m) 0,948 KG/M



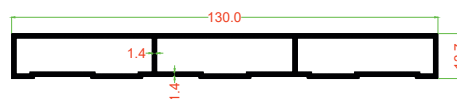
2486-23

Weight (kg/m) 1,753 KG/M



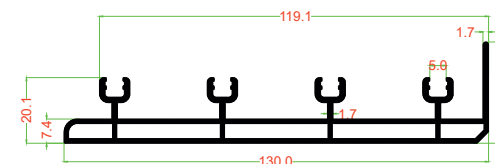
2483-23

Weight (kg/m) 0,875 KG/M



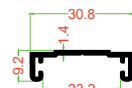
2491-23

Weight (kg/m) 1,165 KG/M



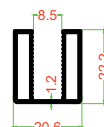
2485-23

Weight (kg/m) 1,653 KG/M



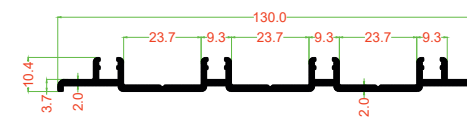
2488-23

Weight (kg/m) 0,208 KG/M



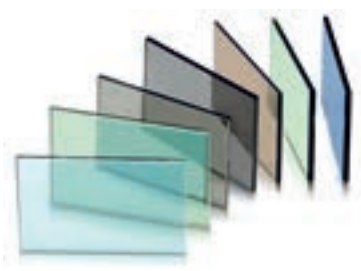
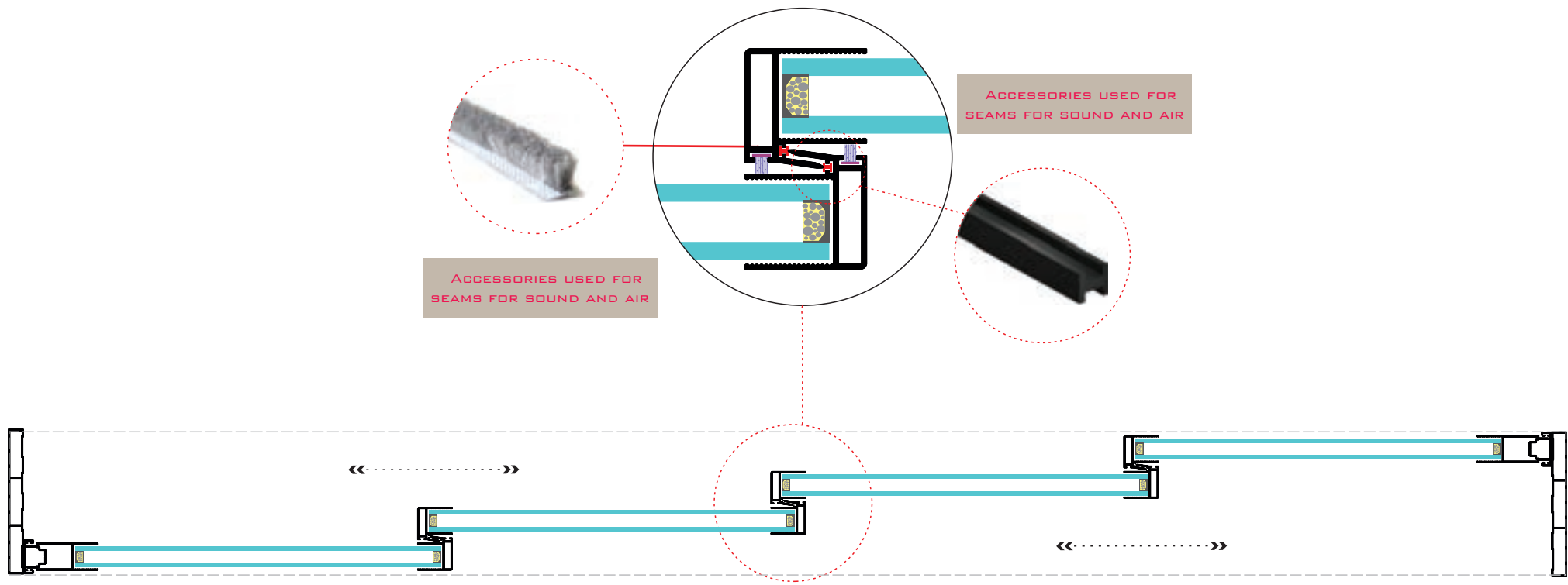
2492-23

Weight (kg/m) 0,352 KG/M



2484-23

Weight (kg/m) 1,013 KG/M



SINGLE GLAZING



DOUBLE GLAZING

YOU MAY USE THIS SYSTEM ANYWHERE



HOTELS / APARTMENTS / RESTAURANTS





ALUDIF S.T.P.

121 Route de Laghet

006340 La Trinité

Tél : 04 93 14 30 15

Mail: contact@aludifstp.com

Http: // www.aludifstp.com

Aluminum



Stainless
Component



Motorized
System



Remote
Control



2 Years
Warranty



Tempered
Glass



Eco
Friendly



Water
Proof



Insulation



CE
Certificated

